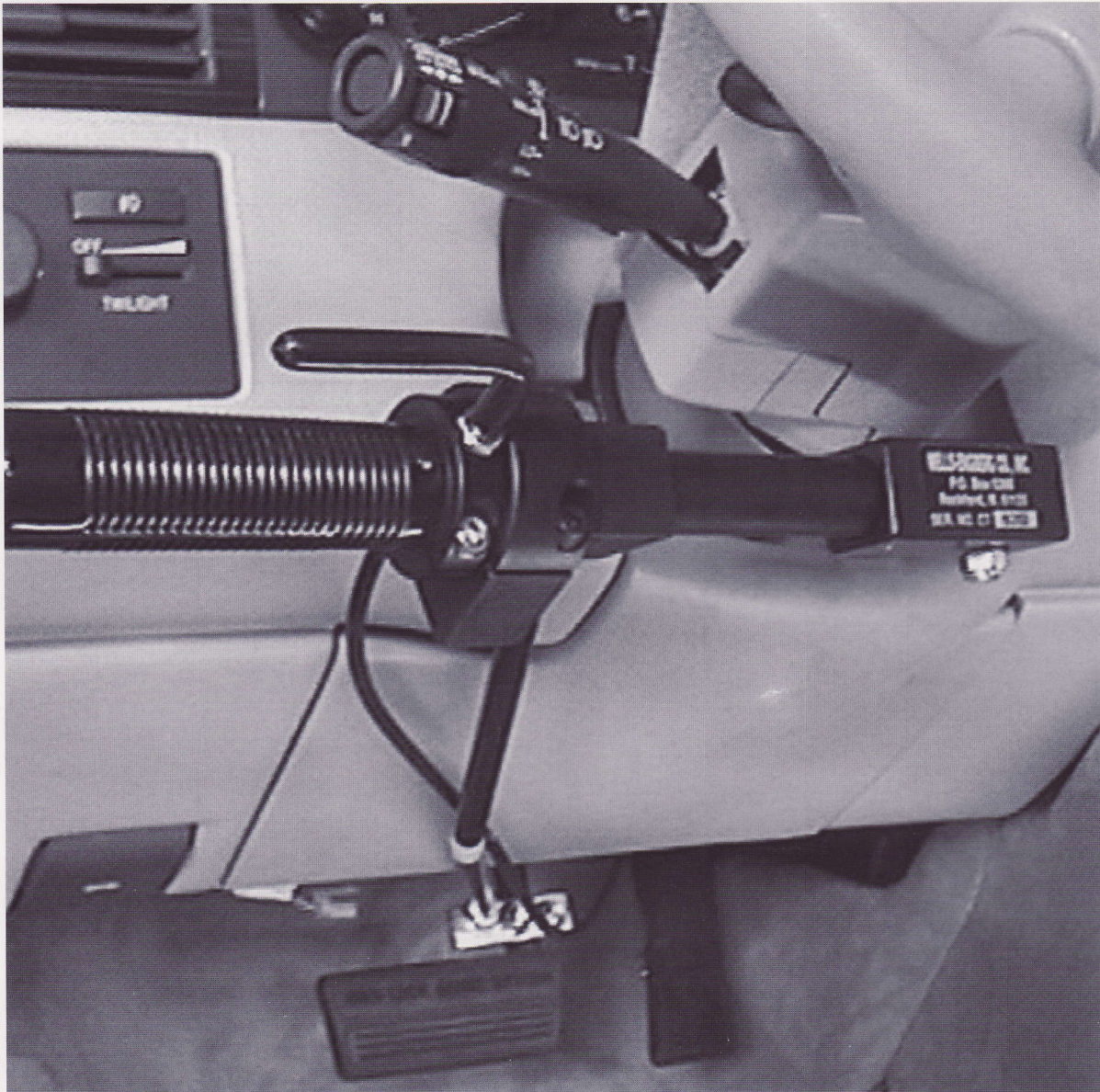


Wells-Engberg CT-100 Rotary Hand Operated Driving Control



A better hand control. An even better price.

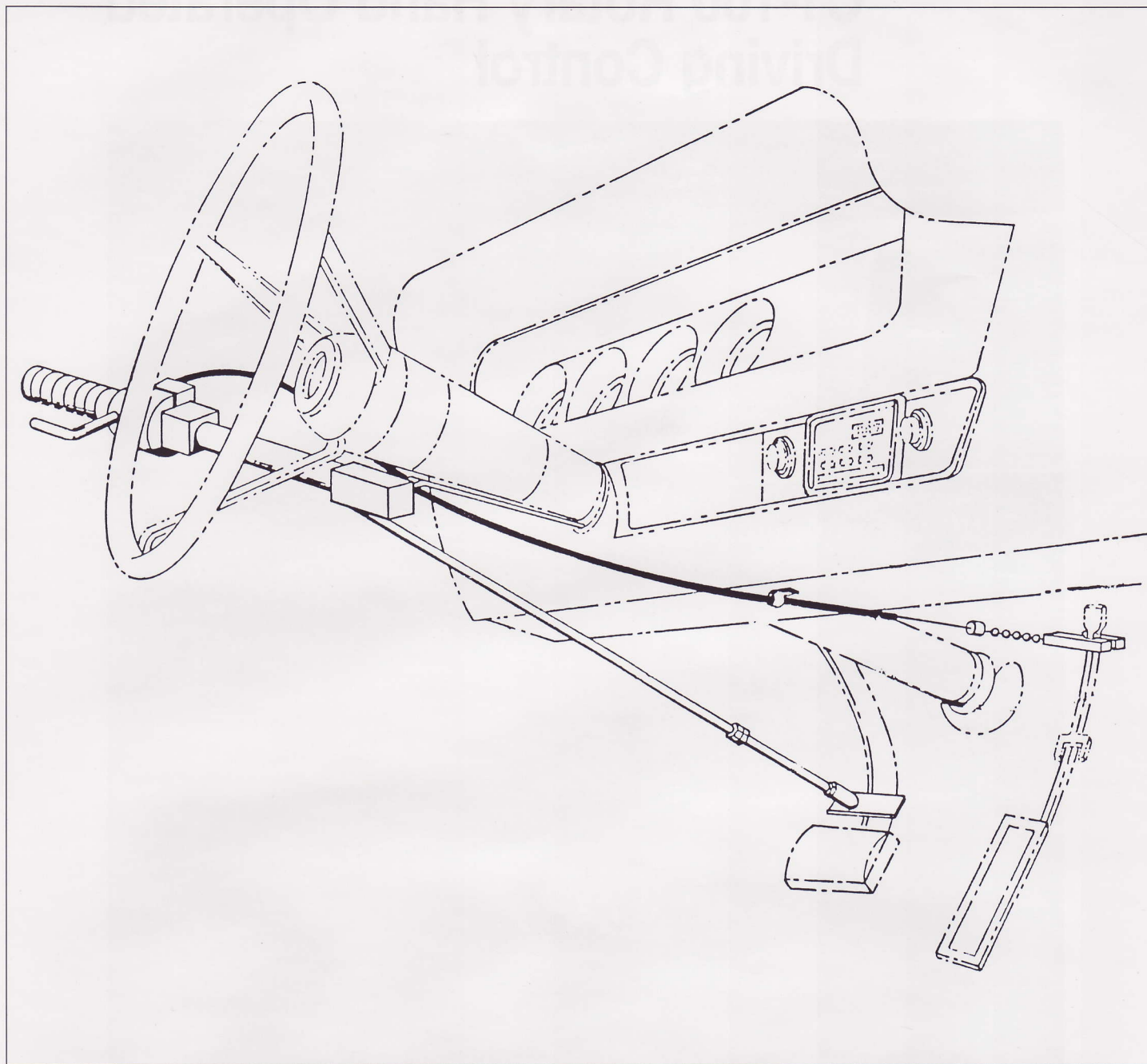
The CT-100 Rotary Hand Operated Driving Control provides easier, less encumbered and more convenient safe driving opportunities for the disabled driver.

By combining a twist-style throttle with a thrust-style braking mechanism, the control gives the driver independent, simultaneous, one hand control of both throttle and brake for ready adaptation to most driving situations.

By replacing the traditional mechanical foot pedal linkages with a cable hook-up to the accelerator pedal arm, the control provides more clearance for operation, as well as ease of entry and exit.



Wells-Engberg CT-100 Rotary Hand Operated Driving Control



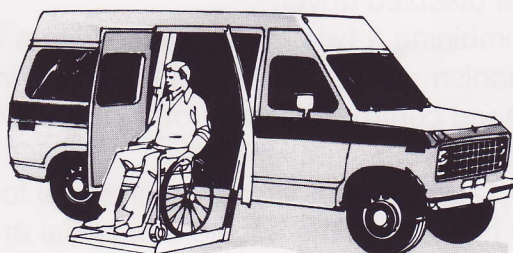
AFFORDABLE MOBILITY

All Your Home & Auto Mobility Needs



346 Chester Rd. P.O. Box 507
AUBURN, NH 03032

(603) 483-5922 www.airbaginc.com



 **WELLS-
ENGBERG**

Wells-Engberg Co., Inc.
P.O. Box 6388, Rockford, IL 61125